



# Multi-channel flat jet nozzles for air Whisperblast<sup>®</sup>, metallic versions Series 600.283.42

## Series 600.283.42

The multi-channel flat jet nozzles of the 600.283 series are made of aluminum and are capable of withstanding significantly higher thermal and mechanical loads than comparable air nozzles made of plastic. In addition, the blowing force also increases at higher air pressures, making this series suitable for very demanding applications.



\* Complies with OSHA requirements on noise level



**Cost savings**

**19%**



**Noise reduction**

**18%**



**Material**  
Aluminum



**Blowing force**  
2.4 N at 2 bar



**Noise level**  
76 db(A) at 2 bar



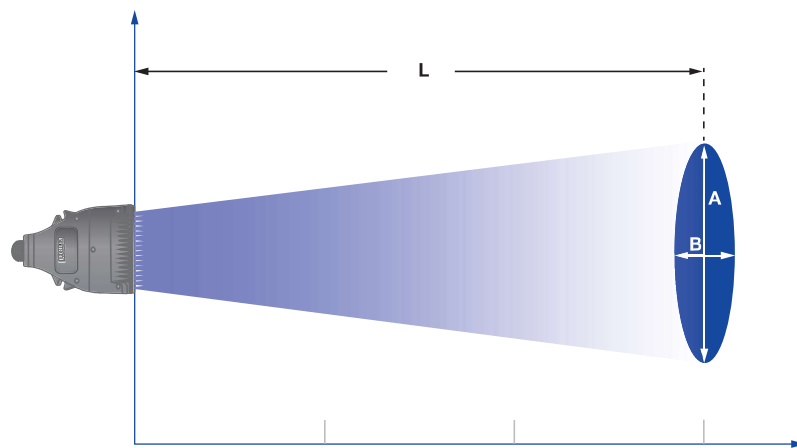
**Air consumption**  
 $V_{LN}=18 \text{ m}^3/\text{h}$  at 2 bar



**Pressure**  
 $p_{\text{max}}=10 \text{ bar}$



**Max. temperature**  
200 °C

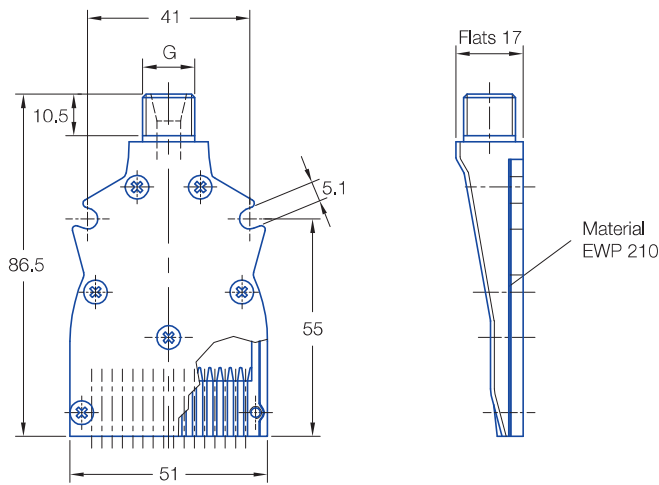


Jet pattern of 600.283 nozzle series

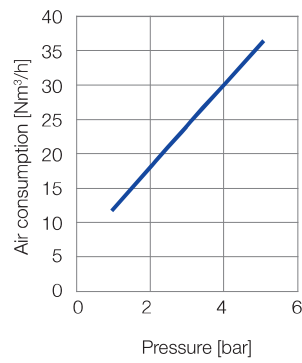
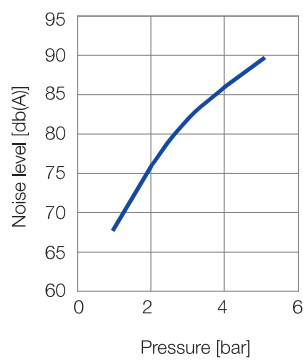
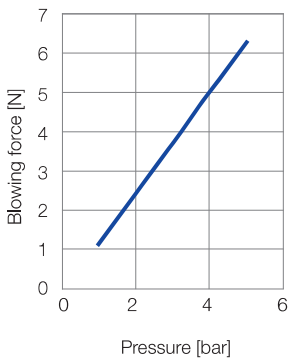
| Pressure:        | 1 bar | 3 bar | 5 bar |
|------------------|-------|-------|-------|
| Distance L [mm]: | 750   | 900   | 900   |

Jet dimensions at L

|         |     |     |     |
|---------|-----|-----|-----|
| A [mm]: | 170 | 210 | 240 |
| B [mm]: | 150 | 180 | 210 |



**Technical data**



| Ordering no. |          |      |          |
|--------------|----------|------|----------|
| Type         | Mat. no. | Code |          |
|              | Aluminum | 42   | 1/4 BSPP |
| 600.283      | ○        | AC   | BC       |

Example of ordering: **Type** + **Mat. no.** + **Code** = **Ordering no.**  
**600.283.** + **42** + **AC** = **600.283.42.AC**